

### Products

- CCTV
- Access Control
- ANPR
- Visitor Management
- Panic Alarm Systems
- Interview Recording

### Markets

- Marine
- Oil & Gas
- Law Enforcement
- Parking
- Security



## Explosionproof Housing With Wiper - Stainless Steel

Camera housing

BHOS0000066

This housing is a rugged corrosion proof device designed for use in onshore, offshore, marine and heavy industrial environments. It is constructed from electro-polished 316L stainless steel for maximum corrosion protection and is fitted with a 316L sun-shield, a thermostatically controlled heater element, and a integrated wiper. It is suited for salty or sulphur rich environments since the protective housing is made of corrosion proof 316L steel. The integrated wiper makes the camera ideal for marine applications.



### Features

- Explosionproof Camera Housing certified for use in hazardous environments
- ATEX...
- Suited to strong corrosive environments. Anti-corrosion, waterproof.
- 316L grade stainless steel for excellent protection in marine environments
- AC220V/DC12V
- PTZ, Wall, pedestal or pendant mounting
- IP66 rated
- Suited to harsh environmental conditions including petrochemicals, mining, military, medicine, oil & gas, marine, drilling platforms, food processing and storage, offshore etc.

**Products**

- CCTV
- Access Control
- ANPR
- Visitor Management
- Panic Alarm Systems
- Interview Recording

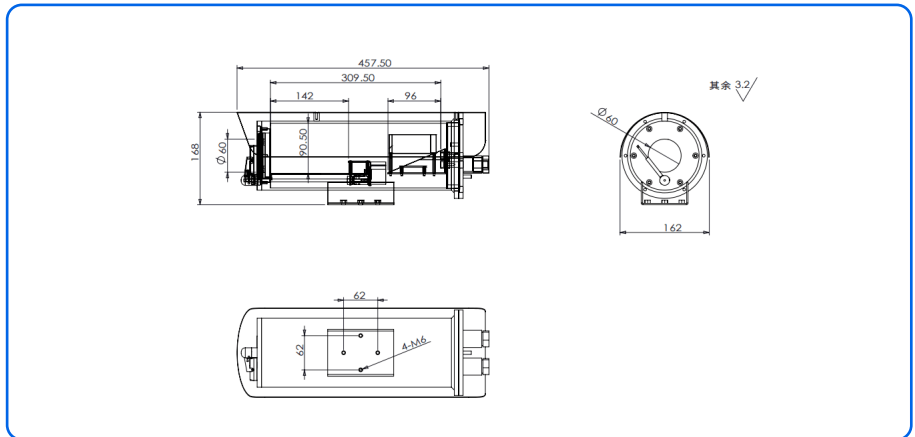
**Markets**

- Marine
- Oil & Gas
- Law Enforcement
- Parking
- Security

**Technical Specifications**

BHOS0000066

Power supply	230VAC/DC12V
Ingress protection	IP66
Hazardous Area	ATEX II 2G Ex d IIC T6 Gb II 2D Ex tb IIIC IP68 T80°C Db
Material	316L stainless steel
Operating temp	-40°C~60°C
Relative humidity	≤95% (+25°C)
Atmospheric pressure	80kpa~106 kpa
Dimensions - external (mm)	Φ162×457.5mm(length )
Dimensions - internal (mm)	Φ90.5×309.5mm(length )
Cable entry	2pcs M25*1.5 output (original G3/4" )
Mounting options	Wall hanging, fixed bracket , pedestal base, PTZ



**For more information on any of our products  
or services please contact:**

**Paragon Security Limited**

Unit 14, Bentalls Business Park, Colchester  
Road, Maldon, Essex CM9 4GD UK  
+44 (0)1245 210914  
info@paragon-security.com  
paragon-security.com