

Products

- CCTV
- Access Control
- ANPR
- Visitor Management
- Panic Alarm Systems
- Interview Recording

Markets

- Marine
- Oil & Gas
- Law Enforcement
- Parking
- Security



Explosionproof Zoom Camera With Wiper - Stainless Steel

FIXED

BHOS2Z180I66

This camera is a rugged corrosion proof device designed for use in onshore, offshore, marine and heavy industrial environments. The camera housing is constructed from electro-polished 316L stainless steel for maximum corrosion protection and is fitted with an 316L sun-shield, a thermostatically controlled heater element, and a integrated wiper. The camera is suited for salty or sulphur rich environments since the protective housing is made of corrosion proof 316L steel. The integrated wiper makes the camera ideal for marine applications.



Features

- Explosionproof Camera certified for use in hazardous environments
- ATEX...
- Suited to strong corrosive environments. Anti-corrosion, waterproof.
- 316L grade stainless steel for excellent protection in marine environments
- Uses SONY 1/2.8" CMOS Sensor
- AC220V/DC12V
- PTZ, Wall, pedestal or pendant mounting
- 2MP resolution
- IP66 rated
- 4.7 - 84.6 mm motorised zoom lens (x18)
- Suited to harsh environmental conditions including petrochemicals, mining, military, medicine, oil & gas, marine, drilling platforms, food processing and storage, offshore etc.

Products

- CCTV
- Access Control
- ANPR
- Visitor Management
- Panic Alarm Systems
- Interview Recording

Markets

- Marine
- Oil & Gas
- Law Enforcement
- Parking
- Security

Technical Specifications

BHOS2Z180I66

Sensor	SONY 1/2.8" CMOS Sensor CCD
Resolution	2MP
Pixels	1920×1080
Frame rate	25fps
Sensitivity	Colour 0.05Lux@F1.6, BW 0.01 Lux@F1.6
Optical Lens	4.7 - 84.6 mm motorised zoom lens (x18)
Aperture range	F1.6 – F3.5
Horizontal viewing angle	58.3-3.2 degree (Wide-Tele)
Min-working distance	10-1500mm(Wide-Tele)
Zoom speed	Approx. 2.7s(Optical Wide-Tele)
Shutter control	Auto exposure / aperture priority / shutter priority / manual exposure
Focusing mode	Auto /manual /one time focusing
On-board storage (option)	Micro SD card 128GB
Video compression	H.264/H.265/MJPEG
Bitrate	32 Kbps~16Mbps
Support protocols	TCP/IP、HTTP、DHCP、DNS、DDNS、RTP、RTSP、PPPoE、SMTP、NTP、UPnP、SNMP、FTP、802.1x、QoS、HTTPS、IPv6 (SIP、SRTP、
Alarms	Intelligent alarm
RS485	RJ45
Alarm in/out	Optional
Audio in/out connector	Optional
Power supply	230VAC/DC12V
Ingress protection	IP66
Hazardous Area	ATEX II 2G Ex d IIC T6 Gb II 2D Ex tb IIIC IP68 T80°C Db
Material	316L stainless steel
Operating temp	-40°C~60°C
Relative humidity	≤95% (+25°C)
Atmospheric pressure	80kpa~106 kpa

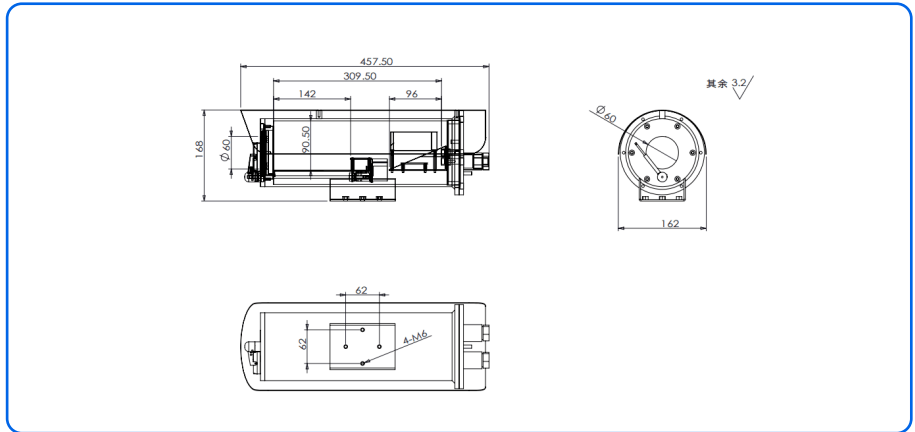
Products

- CCTV
- Access Control
- ANPR
- Visitor Management
- Panic Alarm Systems
- Interview Recording

Markets

- Marine
- Oil & Gas
- Law Enforcement
- Parking
- Security

Dimensions - external (mm)	Φ162×457.5mm(length)
Dimensions - internal (mm)	Φ90.5×309.5mm(length)
Cable entry	2pcs M25*1.5 output (original G3/4")
Mounting options	Wall hanging, fixed bracket , pedestal base, PTZ



**For more information on any of our products
or services please contact:**

Paragon Security Limited

Unit 14, Bentalls Business Park, Colchester
Road, Maldon, Essex CM9 4GD UK
+44 (0)1245 210914
info@paragon-security.com
paragon-security.com