

### Products

- CCTV
- Access Control
- ANPR
- Visitor Management
- Panic Alarm Systems
- Interview Recording

### Markets

- Marine
- Oil & Gas
- Law Enforcement
- Parking
- Security



## Self-Contained ANPR Camera - 2MP

Commercial  
ANPR

BSOA-8Z2I-I66

The on-board ANPR software creates a complete ANPR system on this stand-alone camera - suitable for access control, speed monitoring and vehicle counting.

The advanced ANPR engine can be embedded onto a range of high performance camera providing real-time recognition of vehicle registration plates and meta-data.

The all-in-one system decreases network bandwidth and hardware costs whilst increasing reliability and resilience.

The stand-alone cameras give Black/White list functionality, direction of travel, country, plate type, time, date, GPS position, vehicle make, model, colour and vehicle type classification.



### Features

- High Accuracy: Recognition rate above 99%
- High Speed Operation: Up to 200km/h
- On-board Databases: Basic white/blacklists are embedded in the camera and available through web management, CSV import and via API
- Complex Scenario Support: Directional filtering, Regions of interest and direct I/O support enable filtering and actions using polygons, inclusions, exclusions and direction.
- Plugins: Expandable, modular options allow the system to grow including ADR (dangerous goods), speed, make, model, colour and classification of vehicles.

## Products

- CCTV
- Access Control
- ANPR
- Visitor Management
- Panic Alarm Systems
- Interview Recording

## Markets

- Marine
- Oil & Gas
- Law Enforcement
- Parking
- Security

# Technical Specifications

## BSOA-8Z2I-I66

Resolution	2MP 1/1.8" CMOS
Sensitivity	.016lx col; .03lx mono; 0lx IR
Optical Lens	18-137mm HFOV 16 - 2.3 degrees
IR Illumination range	50m - 850nm (100m with optional LED illuminator)
Maximum vehicle speed	81 mph (130 km/h)
Digital image stabilisation	Yes
On-board storage (option)	No
Image features	BLC, HLC, DNR, DEFOG, rotation, text overlay
Privacy masking	Yes
Analytics	VMD, audio detection, tamper, loitering
Video compression	H264/MJPEG
Alarms	2-way
Audio compression	G726/G711/AAC-LC/Opus
Ethernet	RJ45
Power supply	2-28vdc/PoE 802.3at;802.3af
Power consumption	13W
Impact protection	IK10 body, IK08 glass,
Ingress protection	IP66
European/US/EMC	EMC, EN 55032 Class A, EN 50121-4, IEC 62236-4, EN 55024, EN 61000-6-1, EN 61000-6-2, FCC Part 15 Subpart B Class A, ICES-003 Class A, VCCI Class A, RCM AS/NZS CISPR 32 Class A, KCC KN32 Class A, KN35, EAC, IEC/EN/UL 62368-1, IEC/EN/UL 60950-22, EN/IEC 62471, IS 13252, EN 50581, IEC 60068-2-1, IEC 60068-2-2, IEC 60068-2-6, IEC 60068-2-14, IEC 60068-2-27, IEC 60068-2-78, IEC/EN 60529, IEC/EN 62262, NEMA 250 Type 4X, NEMA TS 2 (2.2.7-2.2.9)

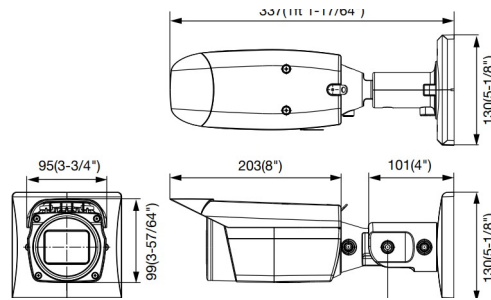
## Products

- CCTV
- Access Control
- ANPR
- Visitor Management
- Panic Alarm Systems
- Interview Recording

## Markets

- Marine
- Oil & Gas
- Law Enforcement
- Parking
- Security

Material	Aluminium
Operating temp	-40 to +60 deg C
Relative humidity	10 to 95% RH (non-condensing)
Weight (kg)	2.4KG
Dimensions - internal (mm)	147dia x 439
Mounting options	Wall hanging, fixed bracket , pedestal base



**For more information on any of our products  
or services please contact:**

### Paragon Security Limited

Unit 14, Bentalls Business Park, Colchester  
Road, Maldon, Essex CM9 4GD UK

+44 (0)1245 210914

info@paragon-security.com

paragon-security.com