

Products

- CCTV
- Access Control
- ANPR
- Visitor Management
- Panic Alarm Systems
- Interview Recording

Markets

- Marine
- Oil & Gas
- Law Enforcement
- Parking
- Security



Thermal Fixed Camera (IP67)

Commercial

BSTAIF80I67

This is an H265 outdoor thermal bullet network camera designed to detect people and vehicles in bad weather, difficult lighting conditions, and any situation that creates poor visibility. With heat based thermal imagery and lens options of 8.8/19/35/50mm, the camera supports long distance monitoring of vehicles up to 4,500m even in complete darkness or under challenging climate conditions such as fog, rain, smoke and dust. The camera offers 720x480 resolution with an uncooled thermal sensor and VCA (Video Content Analysis) to enhance perimeter protection and boarder security. It also provides users with higher levels of network protection. With an IP66, IK10 and NEMA 4X-rated rugged design, the camera will withstand shock & vibration, humidity, dust, and extreme temperature fluctuations to maintain stable and reliable video no matter how harsh the environment.



Features

- Uncooled VOx Infrared Detector
- 720x480 Resolution
- NETD < 50 mk @ F1.0
- H265 Compression Technology
- Lens options from 8.8 to 50mm
- Two-way Audio
- Supports ONVIF Standard to Simplify Integration and Enhance Interoperability
- UL Certification
- Weather-proof IP67, Vandal-proof IK10 and NEMA 4X-rated Housing
- Video Content Analysis

Products

- CCTV
- Access Control
- ANPR
- Visitor Management
- Panic Alarm Systems
- Interview Recording

Markets

- Marine
- Oil & Gas
- Law Enforcement
- Parking
- Security

Technical Specifications

BSTAI80167

Sensor	Uncooled VOx infrared detector
Resolution	1/3 MP
Pixels	Effective pixels: 720×480
Frame rate	25 fps
Digital zoom	ePTZ: 20x digital zoom (4x on IE plug-in, 5x built-in)
On-board storage (option)	Seamless Recording to MicroSD/SDHC/SDXC card and recording to network-attached storage (NAS)
Analytics	Smart VCA
Video compression	H.265, H.264, MJPEG
Support protocols	802.1X, ARP, Bonjour, CIFS/SMB, DDNS, DHCP, DNS, FTP, HTTP, HTTPS, ICMP, IGMP, IPv4, IPv6, NTP, PPPoE, QoS (CoS/DSCP), RTSP/RTMP/RTCP, SMTP, SNMP, SSL, TCP/IP, TLS, UDP, UPnP
Interface protocols	Profile G, S supported, specification available at www.onvif.org
Thermal Imager	Fixed-focal (Thermal Lens)
Pixel pitch	17 µm
Thermal Resolution	8 ~ 14 µm
Thermal Frame rate	NETD < 50 mk
Thermal Focal length (mm) options	8.8; 19; 35 or 50mm
Thermal Field of view (degrees) options	69.6°; 35.7; 19.8 or 14 (Horizontal)
Audio connection	Two-way Audio (full duplex); External microphone input
Audio compression	G.726, G.711
Ethernet	RJ45
RS485	Yes
BNC Output	Yes
Alarm in/out	Audio detection, camera tampering detection, cybersecurity events (brute force attack event, cyberattack event, quarantine event), digital input, manual trigger, motion detection, periodical trigger, recording notification, SD card life expectancy, shock detection, system boot

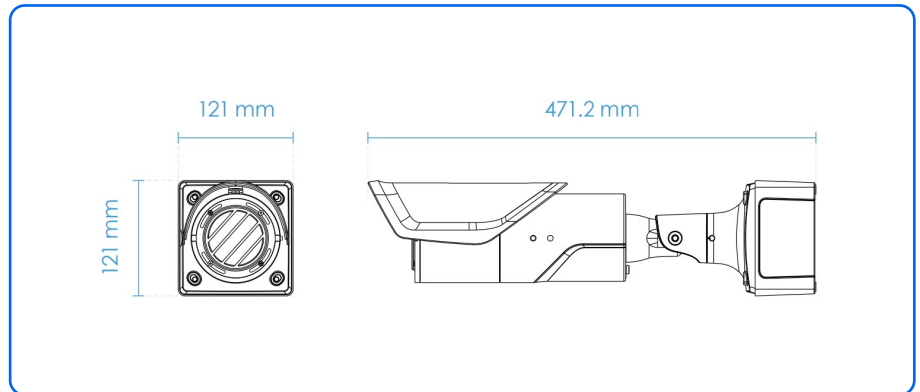
Products

- CCTV
- Access Control
- ANPR
- Visitor Management
- Panic Alarm Systems
- Interview Recording

Markets

- Marine
- Oil & Gas
- Law Enforcement
- Parking
- Security

Power supply	AC 24V, DC 12V, IEEE 802.3at PoE Class 4
Power consumption	PoE: Max. 14 W
Impact protection	IK10
Ingress protection	IP67
Operating temp	-50°C ~ 60°C (-58°F ~ 140°F)
Relative humidity	90%
Weight (kg)	2,115 g
Dimensions - external (mm)	121 × 121 × 471.2 mm (with junction box)
Mounting options	Wall hanging, fixed bracket , pedestal base



For more information on any of our products or services please contact:

Paragon Security Limited

Unit 14, Bentalls Business Park, Colchester Road, Maldon, Essex CM9 4GD UK

+44 (0)1245 210914

info@paragon-security.com

paragon-security.com