

Products

- CCTV
- Access Control
- ANPR
- Visitor Management
- Panic Alarm Systems
- Interview Recording

Markets

- Marine
- Oil & Gas
- Law Enforcement
- Parking
- Security



Explosionproof Fixed Dome Housing - Stainless Steel

Camera housing

DHOS0000066

This compact camera housing is manufactured in heavy-duty 316L stainless steel. It is supplied without a camera. However, we can fit and certify an IP or analogue camera of your choice if required. It is IP66 rated - suitable for hostile environments. It is certified for use in hazardous areas. It is ready for wall or pendant mounting, requiring only power and a video/IP connection. It is designed for use in hazardous areas in onshore, offshore, marine and heavy industrial environments. For example, passenger ships & commercial vessels, oil & gas exploration/extraction/marine and transport.



Features

- Explosionproof Camera Housing certified for use in hazardous environments
- ATEX Zone 1&2 / 21&22
- Class I Division 1&2 / Class II Division 1&2 and all the rest except zone 0.
- Suited to strong corrosive environments. Anti-corrosion, waterproof.
- 316L grade stainless steel for excellent protection in marine environments
- Support dual stream & mobile phone monitoring
- Infra-red illumination
- AC220V/DC12V and PoE
- Wall or pendant mounting
- IP66 rated
- Suited to harsh environmental conditions including petrochemicals, mining, military, medicine, oil & gas, marine, drilling platforms, food processing and storage, offshore etc.

Products

- CCTV
- Access Control
- ANPR
- Visitor Management
- Panic Alarm Systems
- Interview Recording

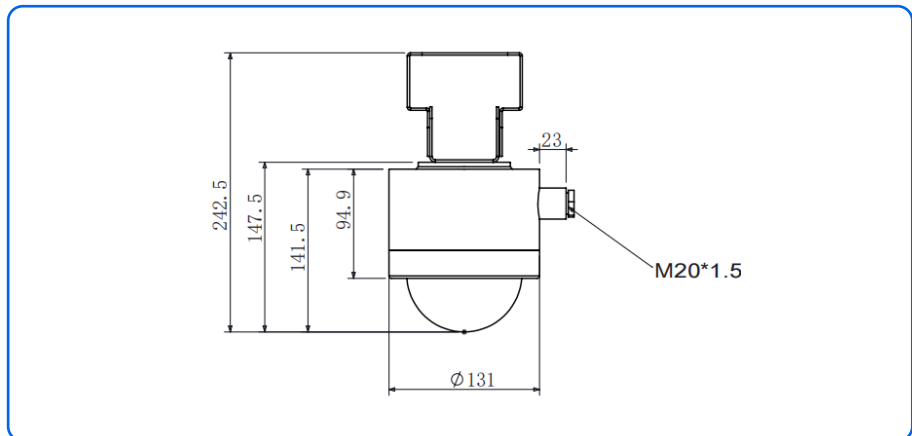
Markets

- Marine
- Oil & Gas
- Law Enforcement
- Parking
- Security

Technical Specifications

DHOS0000066

Power supply	DC12V/POE(Optional)
Ingress protection	IP66
Hazardous Area	ATEX Zone 1&2 / 21&22. Class I Division 1&2 / Class II Division 1&2 and all the rest except zone 0.
Material	316L stainless steel
Operating temp	-40°C~60°C
Relative humidity	≤95% (+25°C)
Atmospheric pressure	80kpa~106 kpa
Dimensions - external (mm)	Dia 157.5 147.5H
Cable entry	1pcs M20*1.5(original 1* G1/2")
Mounting options	Wall hanging, fixed bracket , pedestal base



**For more information on any of our products
or services please contact:**

Paragon Security Limited

Unit 14, Bentalls Business Park, Colchester
Road, Maldon, Essex CM9 4GD UK
+44 (0)1245 210914
info@paragon-security.com
paragon-security.com