

Products

- CCTV
- Access Control
- ANPR
- Visitor Management
- Panic Alarm Systems
- Interview Recording

Markets

- Marine
- Oil & Gas
- Law Enforcement
- Parking
- Security



Fisheye Camera 12MP 360 Degree

Commercial

DSOA12F11I66

This is an outdoor fisheye network camera, featuring a detailed 12-Megapixel sensor for superb image quality. It has wide dynamic range to maintain optimal image quality in high contrast lighting environments as well as H265 compression to keep bandwidth and storage consumption to a minimum. Equipped with IR illuminators and Smart IR technology, the camera can see up to 20m radius in total darkness. The housing is IP66-rated for protection from rain and dust, as well as IK10-rated for robust protection against vandalism. With NEMA 4X protection extreme offshore and marine applications is not an issue. The 12-Megapixel fisheye lens provides a 360 degree surround view with no blind spots, excellent for coverage of open areas. The camera comes fully equipped with VCA (Video Content Analysis). With AI based deep-learning and Smart Motion Detection, VCA enables users to quickly and accurately detect event triggers such as intrusion detection and missing object alerts.

This commercial/marine 360° fixed CCTV camera is an extremely versatile unit that will allow comprehensive viewing in the most challenging conditions with its 360 degree imaging technology offering total situational awareness. By enabling 12MP high-resolution recording of the entire fisheye view, independent of what an operator is doing, images can be processed during playback as if they were live images. During playback, images can be de-warped and virtual cameras can be generated enabling the viewer to pan, tilt and zoom (ePTZ) around the entire scene. The camera also features super Wide Dynamic Range of 120dB and excellent low light performance.

Equipped with a fisheye lens for 180° panoramic view (wall mount), or 360° surround view (ceiling mount), this highly flexible camera is ONVIF compliant, Power over Ethernet (PoE) capable and can be easily integrated into standard IP network based systems. The unit offers full live and retrospective de-warping as well as 12x digital zoom capability through client side de-warping. It supports H.265 compression technology, drastically reducing file sizes and conserving valuable network bandwidth. With H.265, H.264 & MJPEG compatibility included, multiple streams can be simultaneously transmitted in any of these formats at different resolutions, frame rates, and image qualities for versatile platforms. The ruggedised marine option of this camera offers a 3m long CAT5e cable tail and RJ45 plug sealed within an IP68 Tee Tube in-line connection with an enhanced, resilient marine paint finish, anodising and integrated with an isolating/mounting plate.



Products

- CCTV
- Access Control
- ANPR
- Visitor Management
- Panic Alarm Systems
- Interview Recording

Markets

- Marine
- Oil & Gas
- Law Enforcement
- Parking
- Security

Features

- 12-Megapixel CMOS Sensor
- 25 fps @ 2944x2944
- 360° 20M IR with Smart IR
- WDR (120dB) for Improved Visibility in High Contrast Scenes
- Smart Motion Detection to Reduce False Alarms
- Smart VCA (Intrusion Detection, Crowd Detection, Loitering Detection)
- 10 fisheye views with dewarping
- Weather-proof IP66

Technical Specifications

DSOA12F11I66

Sensor	1/2.3" Progressive CMOS in 4056×3040
Resolution	12MP
Pixels	2944×2944
Frame rate	25 fps
Sensitivity	0.1 lux @ F2.0 (colour); <0.005 lux @ F2.0 (B/W); 0 lux with IR
Optical Lens	1.22 mm Fixed-focal
Digital zoom	ePTZ: 12x digital zoom (12x on IE plug-in)
Aperture range	F2.0
Horizontal viewing angle	180° (Horizontal)
Focusing mode	Pixel calculator
IR Illumination range	20m
On-board storage (option)	Seamless Recording to MicroSD/SDHC/SDXC card and recording to network-attached storage (NAS)
Wide Dynamic Range	120 dB
Signal to Noise ratio	56.9 dB
Image features	10 fisheye views with dewarping
Analytics	Smart VCA
Video compression	H.265, H.264, MJPEG
Support protocols	802.1X, ARP, Bonjour, CIFS/SMB, DDNS, DHCP, DNS, FTP, HTTP, HTTPS, ICMP, IGMPv3, IPv4, IPv6, NTP, PPPoE, QoS (CoS/DSCP), RTSP/RTP/RTCP, SMTP, SNMP, SSL, TCP/IP, TLS 1.2, UDP, UPnP
Interface protocols	Profile G, S, T supported, specification available at www.onvif.org

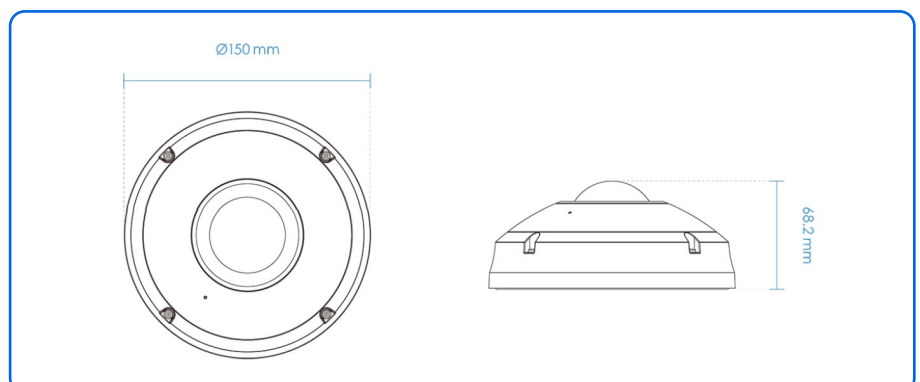
Products

- CCTV
- Access Control
- ANPR
- Visitor Management
- Panic Alarm Systems
- Interview Recording

Markets

- Marine
- Oil & Gas
- Law Enforcement
- Parking
- Security

Audio connection	Two-way audio (Full duplex); Built-in microphone/ext. input
Audio compression	G.711, G.726
Ethernet	RJ45
Alarm in/out	Audio detection, camera tampering detection, cybersecurity events (brute force attack event, cyberattack event, quarantine event), digital input, manual trigger, motion detection, periodical trigger, recording notification, SD card life expectancy, shock detection, system boot
Power supply	IEEE 802.3at PoE Class 4
Power consumption	Max. 22.5 W/9.55 W (IR on/off)
Impact protection	IK10
Vibration testing	(Designed to) MIL-STD-167-1A Shipboard, 4 to 33Hz
Ingress protection	IP66 (IEC 60529), NEMA (NEMA 250 Type 4X);
European/US/EMC	EMC: CE (EN 55032 Class A, EN 55024), FCC (FCC Part 15 Subpart B Class A), VCCI (VCCI-CISPR 32 Class A); UL (UL 62368-1), CB (IEC/EN 62368-1, IEC/EN 60950-22);
Material	External option – anodised aluminium, powder coated with resilient marine finish, polycarbonate dome; Internal option - powder coated aluminium; polycarbonate dome
Operating temp	-40°C ~ 50°C (-40°F ~ 122°F) (IR on)
Relative humidity	90% RH (non-condensing)
Weight (kg)	701 g
Dimensions - external (mm)	ø 150 × 68.2 mm
Mounting options	Ceiling or wall mount
Shock	(Designed to) 30g, 25ms duration, shock handling test



For more information on any of our products or services please contact:

Paragon Security Limited

Unit 14, Bentalls Business Park, Colchester Road, Maldon, Essex CM9 4GD UK

+44 (0)1245 210914

info@paragon-security.com

paragon-security.com