

Products

- CCTV
- Access Control
- ANPR
- Visitor Management
- Panic Alarm Systems
- Interview Recording

Markets

- Marine
- Oil & Gas
- Law Enforcement
- Parking
- Security



64-CH NVR With Analytics

NVR

NVR6400TB

This is an H265 Windows-based standalone NVR that supports up to 4K IP camera video decoding and local 4K video display. With advanced H265 compression technology, users are able to experience Full HD quality video while expending less HDD capacity than H264. The NVR supports remote and mobile access via apps for both iOS and Android devices. The viewing app provides instant push notification and direct video playback functions when triggered by an alarm notification and provides users a flexible and intelligent NVR for seamless use in medium to large sized video surveillance applications. RAID 0, 1, 5, 6 and 10 is supported. Up to 16 x 16TB discs can be accommodated internally giving a maximum on-board capacity of 256TB. On-board smart search video analytics and cybersecurity management.



Features

- H.265/H.264 Compression Technology
- Up to 64CH Recording, 64CH Display
- Support HDMI, Display Port & DVI Simultaneous Output
- 16 Hot-Swappable HDD Bays
- Support RAID 0/1/5/6/10 Storage
- Redundant Power
- Dual Lan Giga Network Ports
- Multiple Fisheye Dewarp Support
- Up to 256TB on-board storage
- Smart Search: People/Vehicle Search
- Analytics Integration: Smart VCA, Parking Violation/Restricted Zone Detection
- Cybersecurity Management Solution

Products

- CCTV
- Access Control
- ANPR
- Visitor Management
- Panic Alarm Systems
- Interview Recording

Markets

- Marine
- Oil & Gas
- Law Enforcement
- Parking
- Security

Technical Specifications

NVR6400TB

OS	Embedded Windows 10
Watchdog	Hardware + Software
Power Restoration	System Restart Automatically after Power Recovery
LiveView Display	64 Channels
LiveView Display	Multi-Layout Display: 1×1, 2×2, 3×3, 1P+3, 2P+3, 1M+5, 1P+6, 3V, 1M+12, 4×4, 1M+31
Video Output	HDMI x1, VGA x1, DVI x 1
Display Resolution	HDMI/DVI 1920×1080
Fisheye Dewarp	Local: 10, 1R, 1P, 1O3R, 1O8R, 1P3R
Fisheye Dewarp	Web: 10, 1R, 1P
PTZ Operation	Direction Control, Home, Iris, Preset, Patrol (Group)
Video Format	H.265, H.264, MJPEG
Graphic Decoder	Software decoding
Decoding Resolution	Up to 8192×8192
Decoding Capability	H.265/H.264:
Resolution/framerate	H264 1920×1080 @ 540 fps
Resolution/framerate	H265 1920×1080 @ 270 fps
Audio Format	G.711, G.726
Audio In/Out	3.5 Phone Jack Audio Output x1
Audio In/Out	3.5 Phone Jack Audio Input (Reserved) x1
Recording Time (sec.)	Pre-Record: 3-15
Post-record	Post-Record: 10-60
Recording Stream	Single
Recording Throughput	512 Mbps
Recording Mode	Continuous, Schedule, Manual, Event, Activity Adaptive Streaming
Recording Setting	Recycle (unit: Day)
Watermark	Supported
HDD Devices	Hot-swappable tray x16
RAID	RAID 0, 1, 5, 6, 10
Disk Management	Create, Format and Remove Disk
Disk Management	HDD S.M.A.R.T.
External Storage	USB Storage (USB 3.0)
Video Clip Export	USB Dongle (FAT Format)

Products

- CCTV
- Access Control
- ANPR
- Visitor Management
- Panic Alarm Systems
- Interview Recording

Markets

- Marine
- Oil & Gas
- Law Enforcement
- Parking
- Security

Schedule Backup	NAS
Playback Display	64 Channels
Viewing Display	Multi-Layout Display: 1×1, 2×2, 1P+3, 3V
Playback Control	Regular (play, pause, stop), rewind, next/previous frame, speed control, calendar, event, timeline, timeline scale, thumbnail (storyboard)
Video Search	By calendar, date/time, and alarm
Thumbnail Explorer (Storyboard)	Listing the thumbnail of recorded video (Max. 2-CH)
Snapshot	JPEG & BMP
Video Clip Export	Supported
Ethernet	10/100/1000Mbps Ethernet (RJ-45) x2
Network Throughput Input/Output Total	400 Mbps
PoE	na/a
PoE Management	Supported
Protocols	IPv4, IPv6, TCP/IP, HTTP, HTTPS, UPnP, RTSP/RTP/RTCP, SMTP, FTP, DHCP, NTP, DNS, DDNS
USB (front)	Front: 3 (USB 2.0)
USB (rear)	Back: 6 (USB 3.0)
Alarm In	16
Alarm Out	8
Audio output	3.5 Phone Jack Audio Output x1
Audio input	3.5 Phone Jack Audio Input (Reserved) x1
Camera Integration	ONVIF Profile S
Event	Motion Detection, Smart VCA Event, Cyber Attack, PIR Detection, Tampering Detection, Camera DI/DO, Camera Disconnected, Disk Failure, Disk Full, NVR DI/DO, PoE error, Fan error
Event Action	Record, Email (Text), Email (Snapshot), FTP, Buzzer, ePTZ Control (Go to Preset), NVR DO, Camera DO, VIVOCLOUD APP Notification
User Management	User level: administrator, regular user
Log	System, recording, user, error
Date & Time	Sync server

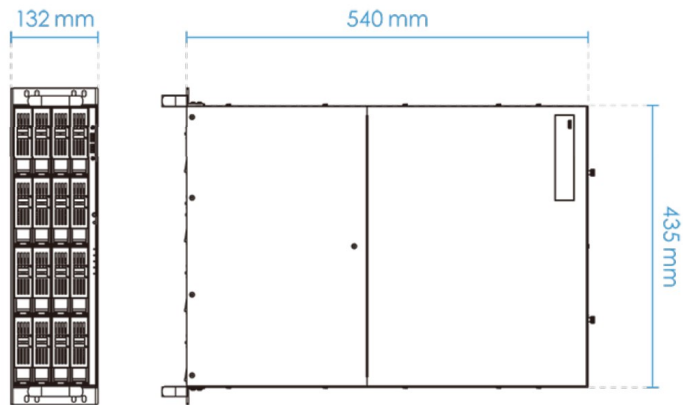
Products

- CCTV
- Access Control
- ANPR
- Visitor Management
- Panic Alarm Systems
- Interview Recording

Markets

- Marine
- Oil & Gas
- Law Enforcement
- Parking
- Security

Language	Czech, English, French, German, Italian, Japanese, Korean, Portuguese, Polish, Russian, Spanish, Simplified Chinese, Traditional Chinese, Arabic
VCA Counting Solution	Supported
VCA Event Search	Supported
Smart Search II	Supported
Trend Micro IoT Security	Supported
Cybersecurity Management	Supported
Mobile/Tablet App	iViewer (Android & iOS)
Power Input	100-240V AC, 50/60Hz
Power Consumption	Max. 550 W
Dimensions	435 (W) x 540 (D) x 132 (H) mm
Weight	33 kg (without HDD)
Operating Temperature	5°C ~ 35°C (41°F ~ 95°F)
Humidity	0 ~ 95%
Safety Certifications	CE, FCC, VCCI, C-Tick, UL, CB, BSMI, BIS



**For more information on any of our products
or services please contact:**

Paragon Security Limited

Unit 14, Bentalls Business Park, Colchester
Road, Maldon, Essex CM9 4GD UK

+44 (0)1245 210914

info@paragon-security.com

paragon-security.com