

Products

- CCTV
- Access Control
- ANPR
- Visitor Management
- Panic Alarm Systems
- Interview Recording

Markets

- Marine
- Oil & Gas
- Law Enforcement
- Parking
- Security



Long Range Ethernet With PoE Transmission Over Coax

Transmission Hardware

OS-COAXTX-POE

The system can be used to transmit PoE ethernet over existing legacy coaxial cables to avoid the need to re-cable a vessel for IP cameras. It delivers unsurpassed distances at full bandwidth 100 Base-T network signal and POE Plus over regular coaxial cable. It provides the reassurance of exceptional performance and reliability, while enabling considerable savings in the cost, time and risk of upgrading legacy analogue camera installations to IP. A range of 540 - 690 metres with RG-59 or even up to 1400 metres with RG-11 is supported without compromising the 100 Base-T data rate.

For even greater distances it can automatically configure to 10Base-T operation, running approx. three times further with data only. The units are entirely self-configuring, and feature extended temperature operation, have a rugged enclosure with both wall-mount or high density rack mounting options. Data and power connections are easily monitored during installation using the embedded LEDs. Although designed for 75 Ohm cable, the system will operate over 50 Ohm cable with full performance and only a slight reduction in the maximum distance attainable. PoE can be sourced from a PoE switch, PoE injector or power supply, for simple installation and optional UPS backed power delivery.



Features

- Long range Ethernet and POE over new or legacy coaxial cable
- IP and PoE transmission of up to 690m over RG59 coaxial cable
- Pair of units required - one at base (receiver); one at camera (transmitter)
- Unrestricted 100Base-T and POE over 1400m (4,600ft) on RG11
- Ruggedised for high-performance over extreme temperature range
- Fully automatic, simple to install and maintenance-free
- Up to 4.2km (2.5 miles) data-only link at 10Base-T without POE
- Rack mount option
- Can be used to extend any IP network

Products

- CCTV
- Access Control
- ANPR
- Visitor Management
- Panic Alarm Systems
- Interview Recording

Markets

- Marine
- Oil & Gas
- Law Enforcement
- Parking
- Security

Technical Specifications

OS-COAXTX-POE

Unit Power	8-57 volts DC or 20-28 volts AC, max 100mA; 1.0 watts
POE in (Base)	IEEE 802.3af (POE) or IEEE 802.3at (POE Plus), 2-event, power class 4
POE out (Camera)	IEEE 802.3af (POE) or IEEE 802.3at (POE Plus)
DC power in (Base)	Detachable screw terminal for optional 57V supply
Connector	BNC
Cable	75 Ohm Coaxial, RG59, RG6 or RG11 or equivalent
Cable	Note: also compatible with 50 Ohm cable types
Rate	200Mbit/s up to 690 metres [2263ft] (RG59 20AWG)
Rate	200Mbit/s up to 1400 metres [4593ft] (RG11)
Rate	20Mbit/s up to 4.2km [2.6miles] (RG11), auto-adapts
Connector	RJ45
Cable	Patch or crossover, auto-detected
Rate	100Base-TX or 10Base-T, full-duplex with auto-negotiation
LED INDICATORS	Link/activity, power good
Ethernet	Link/activity, rate
PoE	POE and link status (greember), diagnostic codes (red)
Dimensions	L 115mm, W 55mm H 27mm, inc removable bracket
Weight	112g [3.95oz]

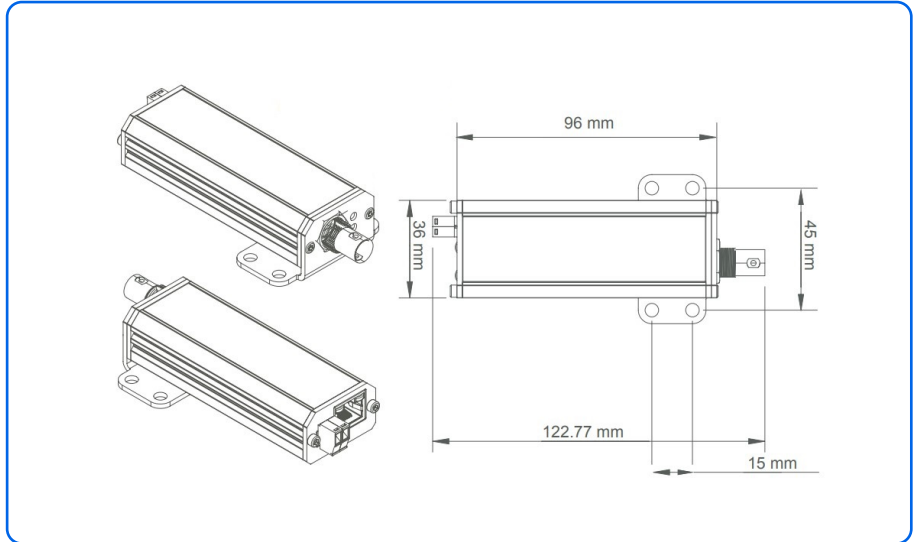
Products

- CCTV
- Access Control
- ANPR
- Visitor Management
- Panic Alarm Systems
- Interview Recording

Markets

- Marine
- Oil & Gas
- Law Enforcement
- Parking
- Security

Operating temperature	-40°C to 70°C [-40°F to 158°F]
Relative humidity	85% non-condensing
Compliance	FCC, CE, RoHS, BS EN 50121-4 (rail + metro)
Mounting options	Free-standing, wall or rack mount



**For more information on any of our products
or services please contact:**

Paragon Security Limited

Unit 14, Bentalls Business Park, Colchester
Road, Maldon, Essex CM9 4GD UK
+44 (0)1245 210914
info@paragon-security.com
paragon-security.com