

Products

- CCTV
- Access Control
- ANPR
- Visitor Management
- Panic Alarm Systems
- Interview Recording

Markets

- Marine
- Oil & Gas
- Law Enforcement
- Parking
- Security



Washer Nozzle For Marine Cameras

Accessories

OSWASH

The Washer bracket/nozzle assembly provides an effective wash facility for marine cameras clamping neatly via camera mounting bracket bolts.

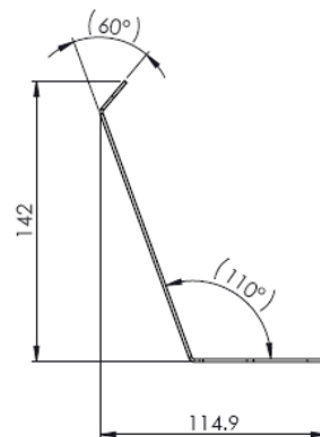
The bracket arm provides holes for cable-tying a washer pipe (not included). To operate, simply set a preset position in the camera as a dedicated wash position, then enable the wash function for the camera. Washer tubing is 4mm inside diameter; 6mm outside diameter

You will require a washer bottle (OSTANKAABB) and wash relay control.



Features

- Suitable for fixed or PTZ cameras
- Easy installation & maintenance
- Use with washer tank OSTANKAABB



For more information on any of our products or services please contact:

Paragon Security Limited

Unit 14, Bentalls Business Park, Colchester Road, Maldon, Essex CM9 4GD UK
+44 (0)1245 210914
info@paragon-security.com
paragon-security.com