

Products

- CCTV
- Access Control
- ANPR
- Visitor Management
- Panic Alarm Systems
- Interview Recording

Markets

- Marine
- Oil & Gas
- Law Enforcement
- Parking
- Security



Explosionproof PTZ Housing For Camera With IR - Stainless Steel

Camera housing

PHOS0000066

The rugged camera housing is an ATEX Class I Division 1&2 / Class II Division 1&2 certified PTZ camera station, made in 316L stainless-steel. It is supplied without a camera but with IR illuminator only. However, we can fit and certify an IP or analogue camera of your choice if required. It is designed for use in hazardous areas in onshore, offshore, marine and heavy industrial environments. For example, passenger ships & commercial vessels, oil & gas exploration/extraction/marine and transport.



Features

- Explosionproof PTZ Dome Camera Housing certified for use in hazardous environments
- ATEX Zone 1&2 / 21&22
- Class I Division 1&2 / Class II Division 1&2 and all the rest except zone 0.
- Marine 316L grade stainless steel
- IR distance:100M
- Support ONVIF, HIKVISION, DAHUA
- AC85V-260V
- Suited to strong corrosive environments. Anti-corrosion, waterproof.
- Smart windscreen wiper
- Windows glass surface process by nano technology . Good light transmittance.
- Low power consumption
- Suited to harsh environmental conditions including petrochemicals, mining, military, medicine, oil & gas, marine, drilling platforms, food processing and storage, offshore etc.

Products

- CCTV
- Access Control
- ANPR
- Visitor Management
- Panic Alarm Systems
- Interview Recording

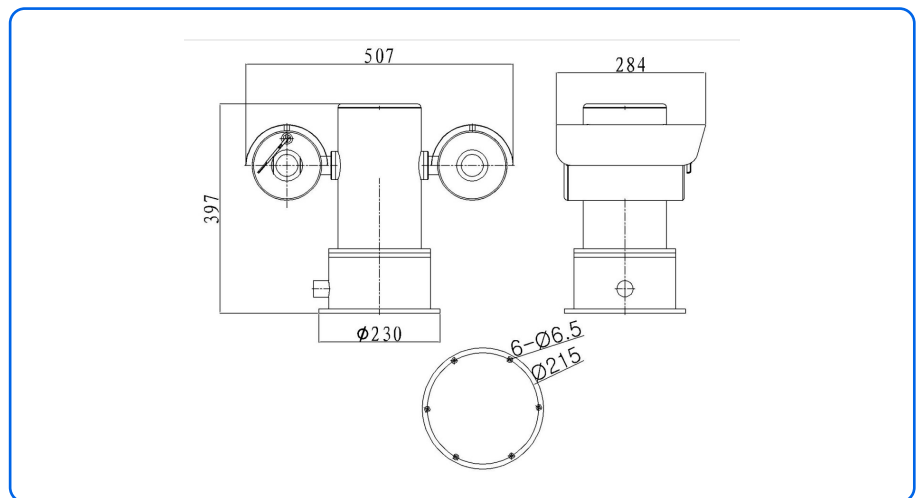
Markets

- Marine
- Oil & Gas
- Law Enforcement
- Parking
- Security

Technical Specifications

PHOS0000066

| | |
|-----------------------|---|
| IR Illumination range | 100m @ 808nm |
| Pan range | Horizontal : 0~360°Vertical: : ±90° |
| Pan speed | Horizontal : 0.1°/S~40°/s Vertical: : 0.1°/S~40°/s |
| Pre-sets | 300 |
| Power supply | AC85V-260V |
| Ingress protection | IP66 |
| Hazardous Area | ATEX Zone 1&2 / 21&22. Class I Division 1&2 / Class II Division 1&2 and all the rest except zone 0. |
| Material | 316L stainless steel |
| Operating temp | -40°C~60°C |
| Relative humidity | ≤ 95% (+25°C) |
| Atmospheric pressure | 80kpa~106 kpa |
| Cable entry | 1pcs M25*1.5 output(original G3/4) |
| Mounting options | Wall hanging, fixed bracket , pedestal base |



For more information on any of our products or services please contact:

Paragon Security Limited

Unit 14, Bentalls Business Park, Colchester Road, Maldon, Essex CM9 4GD UK

+44 (0)1245 210914

info@paragon-security.com

paragon-security.com