

Products

- CCTV
- Access Control
- ANPR
- Visitor Management
- Panic Alarm Systems
- Interview Recording

Markets

- Marine
- Oil & Gas
- Law Enforcement
- Parking
- Security



Explosionproof PTZ Housing For Camera - Stainless Steel

Camera housing

PHOS000I066

The rugged camera housing is an ATEX Class I Division 1&2 / Class II Division 1&2 certified PTZ camera station, made in 316L stainless-steel. It is supplied without a camera. However, we can fit and certify an IP or analogue camera of your choice if required. It is designed for use in hazardous areas in onshore, offshore, marine and heavy industrial environments. For example, passenger ships & commercial vessels, oil & gas exploration/extraction/marine and transport.



Features

- Explosionproof PTZ Dome Camera Housing certified for use in hazardous environments
- ATEX Zone 1&2 / 21&22
- Class I Division 1&2 / Class II Division 1&2 and all the rest except zone 0.
- Marine 316L grade stainless steel
- Support ONVIF, HIKVISION, DAHUA
- AC85V-260V
- Suited to strong corrosive environments. Anti-corrosion, waterproof.
- Smart windscreen wiper
- Windows glass surface process by nano technology . Good light transmittance.
- Low power consumption
- Suited to harsh environmental conditions including petrochemicals, mining, military, medicine, oil & gas, marine, drilling platforms, food processing and storage, offshore etc.

Products

- CCTV
- Access Control
- ANPR
- Visitor Management
- Panic Alarm Systems
- Interview Recording

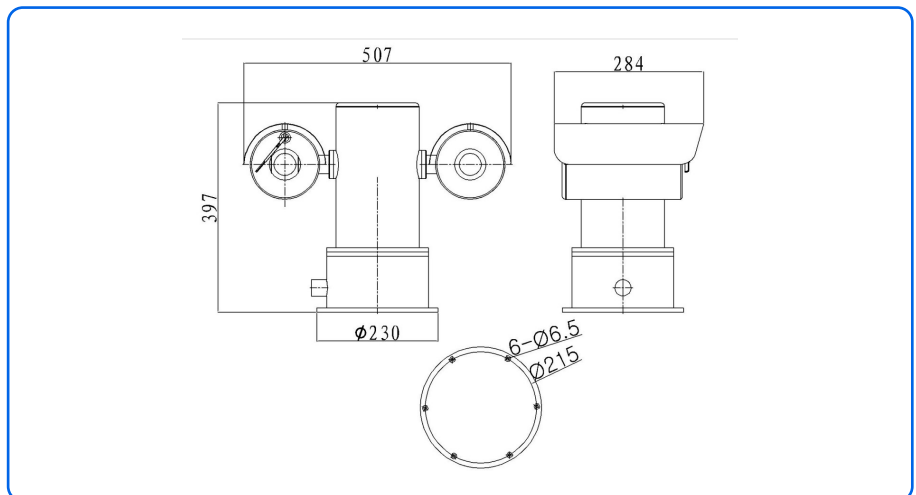
Markets

- Marine
- Oil & Gas
- Law Enforcement
- Parking
- Security

Technical Specifications

PHOS0001066

Pan range	Horizontal : 0~360° Vertical: : ±90°
Pan speed	Horizontal : 0.1°/S~40°/s Vertical: : 0.1°/S~40°/s
Pre-sets	300
Power supply	AC85V-260V
Ingress protection	IP66
Hazardous Area	ATEX Zone 1&2 / 21&22. Class I Division 1&2 / Class II Division 1&2 and all the rest except zone 0.
Material	316L stainless steel
Operating temp	-40°C~60°C
Relative humidity	≤ 95% (+25°C)
Atmospheric pressure	80kpa~106 kpa
Cable entry	1pcs M25*1.5 output(original G3/4)
Mounting options	Wall hanging, fixed bracket , pedestal base



**For more information on any of our products
or services please contact:**

Paragon Security Limited

Unit 14, Bentalls Business Park, Colchester
Road, Maldon, Essex CM9 4GD UK

+44 (0)1245 210914

info@paragon-security.com

paragon-security.com