

### Products

- CCTV
- Access Control
- ANPR
- Visitor Management
- Panic Alarm Systems
- Interview Recording

### Markets

- Marine
- Oil & Gas
- Law Enforcement
- Parking
- Security



## Marine Optical PTZ Camera With Wiper - Stainless Steel

PTZ

PHOS2Z200I66M

The camera is a PTZ camera station, made in 316L stainless-steel. It is equipped with the latest generation 2MP IP day/night camera and x20 motorised zoom lens. It is designed for use in onshore, offshore, marine and heavy industrial environments including passenger ships & commercial vessels. It is available with IR illuminator and thermal camera options.



### Features

- Marine 316L grade stainless steel
- 20x zoom lens
- Support ONVIF, HIKVISION, DAHUA
- AC85V-260V
- Suited to strong corrosive environments. Anti-corrosion, waterproof.
- Smart windscreen wiper
- Supports digital wide dynamic, 3D-DNR, low bit rate
- Windows glass surface process by nano technology . Good light transmittance.
- Low power consumption
- Suited to harsh environmental conditions including petrochemicals, mining, military, medicine, oil &

### Products

- CCTV
- Access Control
- ANPR
- Visitor Management
- Panic Alarm Systems
- Interview Recording

### Markets

- Marine
- Oil & Gas
- Law Enforcement
- Parking
- Security

## Technical Specifications

### PHOS2Z200I66M

Sensor	1/2.8" Progressive Scan CMOS
Sensitivity	Colour : 0.05Lux @ (F1.6, AGC ON); BW : 0.01Lux @(F1.6, AGC ON)
Optical Lens	4.7-94mm, 20x
Digital zoom	16x
Aperture range	F1.6-F3.5
Horizontal viewing angle	61.4-2.9 ° (Wide-Tele )
Min-working distance	10-1500mm(Wide-Tele)
Zoom speed	About 2.7 s (optical , Wide-Tele)
Shutter control	Auto exposure / aperture priority / shutter priority / manual exposure
Focusing mode	Auto /manual /one time focusing
Maximum vehicle speed	PAL/NTSC
On-board storage (option)	Micro SD card 128GB
White balance	1/ 2Automatic / manual / indoor / outdoor lamp / fluorescent lamp
Signal to Noise ratio	>52dB
Video compression	H.264 /H.265/MJPEG
Bitrate	32 Kbps~16Mbps
Support protocols	TCP/IP、 HTTP、 DHCP、 DNS、 DDNS、 RTP、 RTSP、 PPPoE、 SMTP、 NTP、 UPnP、 SNMP、 FTP、 802.1x、 QoS、 HTTPS、 IPv6 (SIP、 SRTP、 Optional
Interface protocols	ONVIF、 PSIA、 CGI
Alarms	1ch Alarm In,1ch Alarm Out(optional)
Pan range	Horizontal : 0~360°Vertical: : ±90°
Pan speed	0.1°/S~40°/s
Tilt speed	0.1°/S~40°/s
Pre-sets	300
Audio connection	1ch Audio In,1ch Audio Out(optional)
Audio compression	G.711-a law、 G.711-u law、 G.726
Ethernet	Ethernet RJ-45(10/100/1000Base-T)

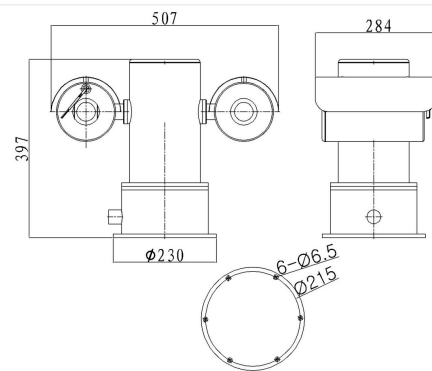
## Products

- CCTV
- Access Control
- ANPR
- Visitor Management
- Panic Alarm Systems
- Interview Recording

## Markets

- Marine
- Oil & Gas
- Law Enforcement
- Parking
- Security

Power supply	AC85V-260V
Ingress protection	IP66
Material	316L stainless steel
Operating temp	-40°C~60°C
Relative humidity	≤ 95% (+25°C)
Atmospheric pressure	80kpa~106 kpa
Cable entry	1pcs M25*1.5 output(original G3/4)
Mounting options	Wall hanging, fixed bracket , pedestal base



**For more information on any of our products  
or services please contact:**

### Paragon Security Limited

Unit 14, Bentalls Business Park, Colchester  
Road, Maldon, Essex CM9 4GD UK

+44 (0)1245 210914

info@paragon-security.com

paragon-security.com