

### Products

- CCTV
- Access Control
- ANPR
- Visitor Management
- Panic Alarm Systems
- Interview Recording

### Markets

- Marine
- Oil & Gas
- Law Enforcement
- Parking
- Security



## Marine Thermal/Optical PTZ Camera - Stainless Steel

PTZ

PHOTS2Z200I66M

This camera is a rugged corrosion-proof dual-head PTZ station designed for use in onshore, offshore, marine and heavy industrial environments. The combination of thermal imaging and daylight cameras facilitates 24/7 remote camera surveillance. The daylight camera controls the movement of the camera (PTZ). The camera's large germanium window suits all thermal modules from 8 to 100 mm.



### Features

- Smart windscreen wiper option
- Marine 316L grade stainless steel
- Suited to strong corrosive environments. Anti-corrosion, waterproof.
- Windows glass surface process by nano technology . Good light transmittance.
- Low power consumption
- Suited to harsh environmental conditions including petrochemicals, mining, military, medicine, oil & gas, marine, drilling platforms, food processing and storage, offshore etc.

### Products

- CCTV
- Access Control
- ANPR
- Visitor Management
- Panic Alarm Systems
- Interview Recording

### Markets

- Marine
- Oil & Gas
- Law Enforcement
- Parking
- Security

## Technical Specifications

### PHOTS2Z200I66M

Sensor	1/2.8" Progressive Scan CMOS
Sensitivity	Colour : 0.05Lux @ (F1.6, AGC ON); BW : 0.01Lux @(F1.6, AGC ON)
Optical Lens	4.7-94mm, 20X optical
Aperture range	F1.6 – F5.0
Horizontal viewing angle	65.5-2.11 degree (Wide-Tele)
Min-working distance	10-1500mm(Wide-Tele)
Zoom speed	Approx.3s(Optical Wide-Tele)
Shutter control	Auto exposure / aperture priority / shutter priority / manual exposure
Focusing mode	Auto /manual /one time focusing
White balance	1/ 2Automatic / manual / indoor / outdoor lamp / fluorescent lamp
Signal to Noise ratio	>52dB
Video compression	H.264 /H.265/MJPEG
Bitrate	32 Kbps~16Mbps
Support protocols	TCP/IP、 HTTP、 DHCP、 DNS、 DDNS、 RTP、 RTSP、 PPPoE、 SMTP、 NTP、 UPnP、 SNMP、 FTP、 802.1x、 QoS、 HTTPS、 IPv6 (SIP、 SRTP、
Pan range	Horizontal : 0~360°
Tilt range	Vertical: : ±90°
Thermal Imager	uncooled FPA Vox detector
Window	400(H) ×300(V), 640(H)×512(V) option
Pixel pitch	8~14μm
Thermal Resolution	≤40mK@F1.0,300K
Thermal Frame rate	Fixed type: 8/25/50/75/100mm option
Thermal Focal length (mm) options	640: 68°×57°/24°×18°/12°×10°/8°×7°/6°×5°; 320: 46°×35°/15°×11°/7°×5°/5.1°×3.8°/3.8°×2.9°
Thermal Field of view (degrees) options	-30 °C ~ 200 °C(can OEM up to 600°C)
Theory of temperature measurement range	Spot, Line, Area
Temperature Detection	±2°C / ±2%

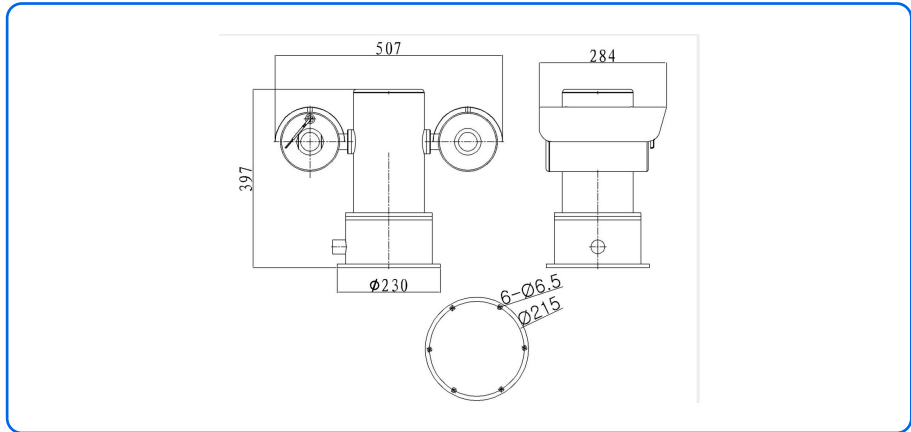
**Products**

- CCTV
- Access Control
- ANPR
- Visitor Management
- Panic Alarm Systems
- Interview Recording

**Markets**

- Marine
- Oil & Gas
- Law Enforcement
- Parking
- Security

Accuracy	Temperature target >5°C, Display absolute temperature value; Temperature target ≤5°C, Display relative temperature value (temperature difference DEV = highest value – average)
Audio compression	G.711-a law、G.711-u law、G.726
Ethernet	Ethernet RJ-45(10/100/1000Base-T)
Power supply	AC85V-260V(DC 24V option)
Ingress protection	IP66
Material	316L stainless steel
Operating temp	-40°C~60°C
Relative humidity	≤ 95% (+25°C)
Atmospheric pressure	80kpa~106 kpa
Cable entry	1pcs M25*1.5 output(original G3/4)



**For more information on any of our products  
or services please contact:**

**Paragon Security Limited**

Unit 14, Bentalls Business Park, Colchester  
Road, Maldon, Essex CM9 4GD UK  
+44 (0)1245 210914  
info@paragon-security.com  
paragon-security.com