

MARINE CCTV CAMERAS

Widest range of ruggedised marine camera options:

Weatherproof IP67/68

Hazardous area

Fixed bullet or dome

Wash/wipe options

316L Stainless steel

PTZ with IR/white light

Thermal

DNV and Naval specification

ADVANCED ANALYTICS

Man-overboard alarm

Long range vessel detection

Line crossing alarm

Fire/flame detection

People counting

ANPR

TRANSMISSION OPTIONS

Cat5/6 cable network

Wireless

Powerline (CCTV over mains)

Fibre

Coaxial cable (analogue)

For more information on any of our products or services please contact:

Fixed Bullet Marine Paint Finish Camera BSOA-2Z4I-I67

The BSOA-2Z4I-I67 is a compact 2MP weather proof bullet camera manufactured in the UK. The body of the camera is made from solid die-cast aluminium which is pre-treated and powder coated with a ruggedised marine paint. This ensures corrosion free operation in aggressive environments such as those in the chemical industry, offshore and marine. The camera is IP67 dust and water proof, and IK10 vandal resistant which make it suitable for extreme conditions. It is suitable for ships, oil rigs, seaports and terminals, and coastal locations.



FEATURES

- Tough, vandal-resistant housing, IK10 & IP67
- Ruggedised Marine grade
- PoE (802.3af) or 12VDC
- 2MP with Super Low-Light Performance
- 2.7~12mm Motorised Zoom Lens with Smart Auto Focus
- ONVIF Profile S & Q Compliant; H265
- Built-in on-camera SD Card recording (up to 256GB) for local back-up
- Adaptive IR Integral LEDs with up to 60m range
- Intelligent Video Analytics
- Audio In/ Out
- Fully cable-managed solution, keeps cables hidden and secure
- Wall-bracket, pendant or pedestal mount options
- Washer option
- Extendable sun/rain visor option
- Manufactured in the United Kingdom
- Custom colours available



SERVICES

- Survey
- Design
- System configuration
- Factory Acceptance Testing
- Documentation
- Installation
- Commissioning
- Acceptance Testing
- Training
- On-going Service & Support

PRODUCTS

- CCTV
- Video Analytics
- ANPR
- Access Control
- Intercoms
- Intruder Detection
- Fire Detection
- Wired & Wireless Networks



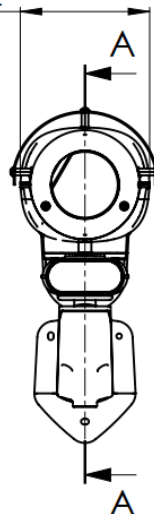
For more information on any of our products or services please contact:

TECHNICAL SPECIFICATIONS

Camera	
Resolution	2MP 1/ 2.8" CMOS 1920 x 1080 pixels
Sensitivity	Colour 0.001lx; Mono 0.001lx @ F1.2
Lens	2.7-12mm HFOV 105 to 326 degrees. Motorised. Smart auto-focus
Wide Dynamic Range	120 dB HDR
Signal to Noise ratio	Better than 55dB
Image enhancement	WDR, BLC, HLC, Defog, DIS
Pan/tilt range	n/a
Pan/tilt speed	n/a
Pre-sets	n/a
Pre-set tours	n/a
Alarms	n/a
Motion tracking	n/a
Analytics	Perimeter, virtual fences, loitering, objects left/removed, video overlay, email alarm
Illumination	
Angle	Dynamic with lens zoom angle
Distance	Up to 60m
Audio	
Bit rate	From 8kbps to 64kbps; Duplex, bi-directional
Audio compression	G711 Line in/Line out
Connections	
Ethernet	RJ45
Alarm in/out	1 in/ 1 out Terminal block
Power	Terminal block
Audio in/out	3.5mm jack
Certification	
Impact rating	IK10
European/US	CE/FCC
Ingress Protection	IP67
EMC	n/a
Physical	
Material	Aluminium. Ruggedised marine finish. Light grey (RAL7035). Custom colours avail.
Operating temp	-40 to +60 deg C
Relative humidity	< 90%
Power	12vdc (12W IR ON; 4W IR OFF) PoE 802.3af
Weight	5kg including bracket (approx..)

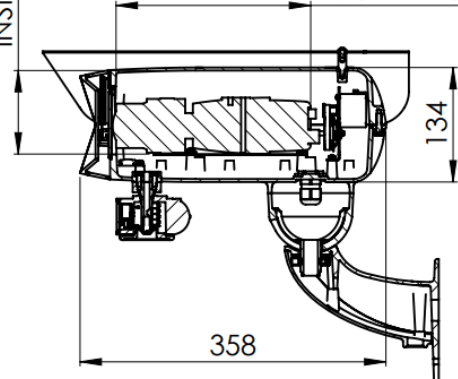
DIMENSIONS (mm)

152
MAX 79 INSIDE



103 MAX
INSIDE

MAX 228 WITH WIPER
290 WITHOUT WIPER



SECTION A-A